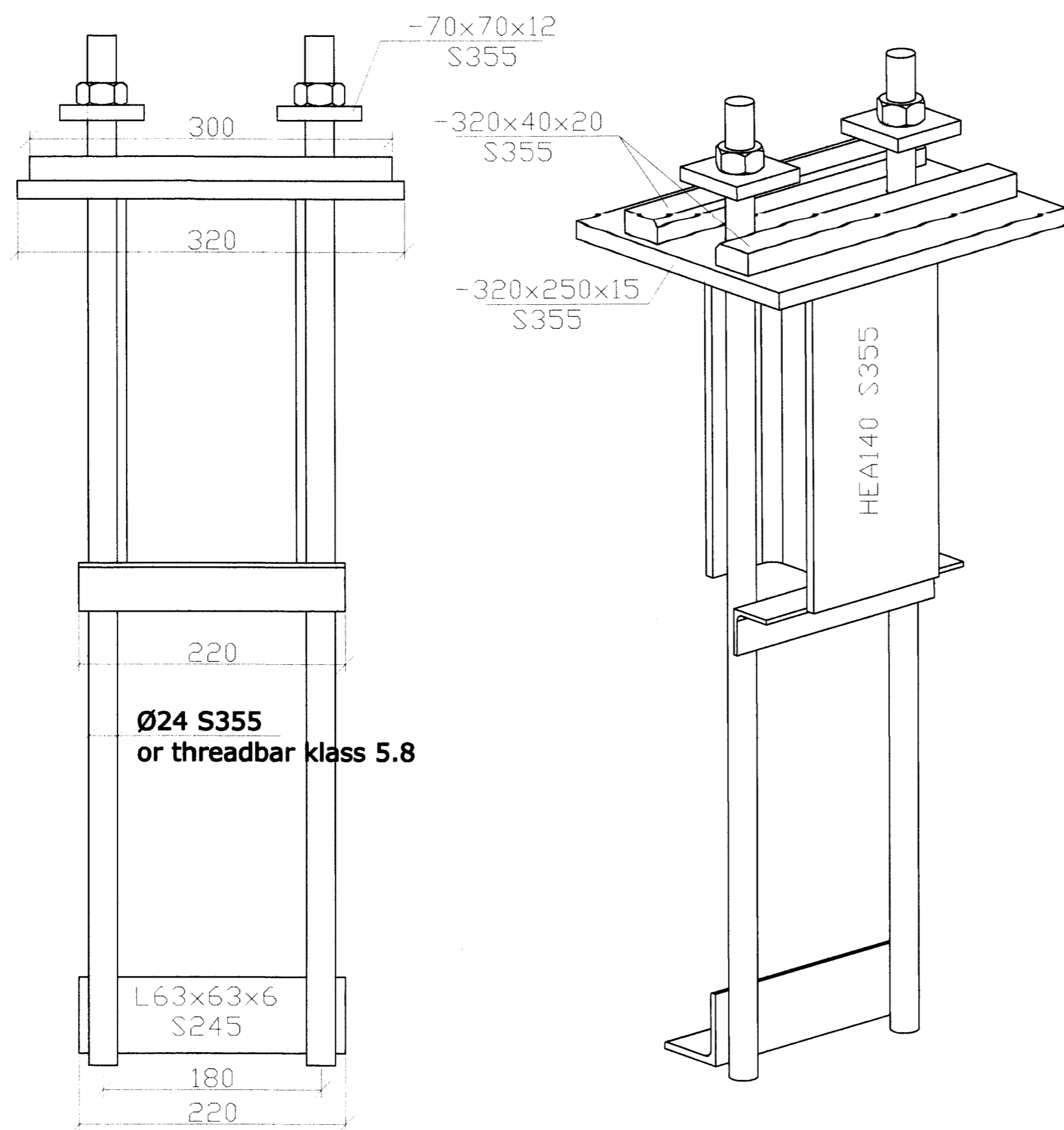
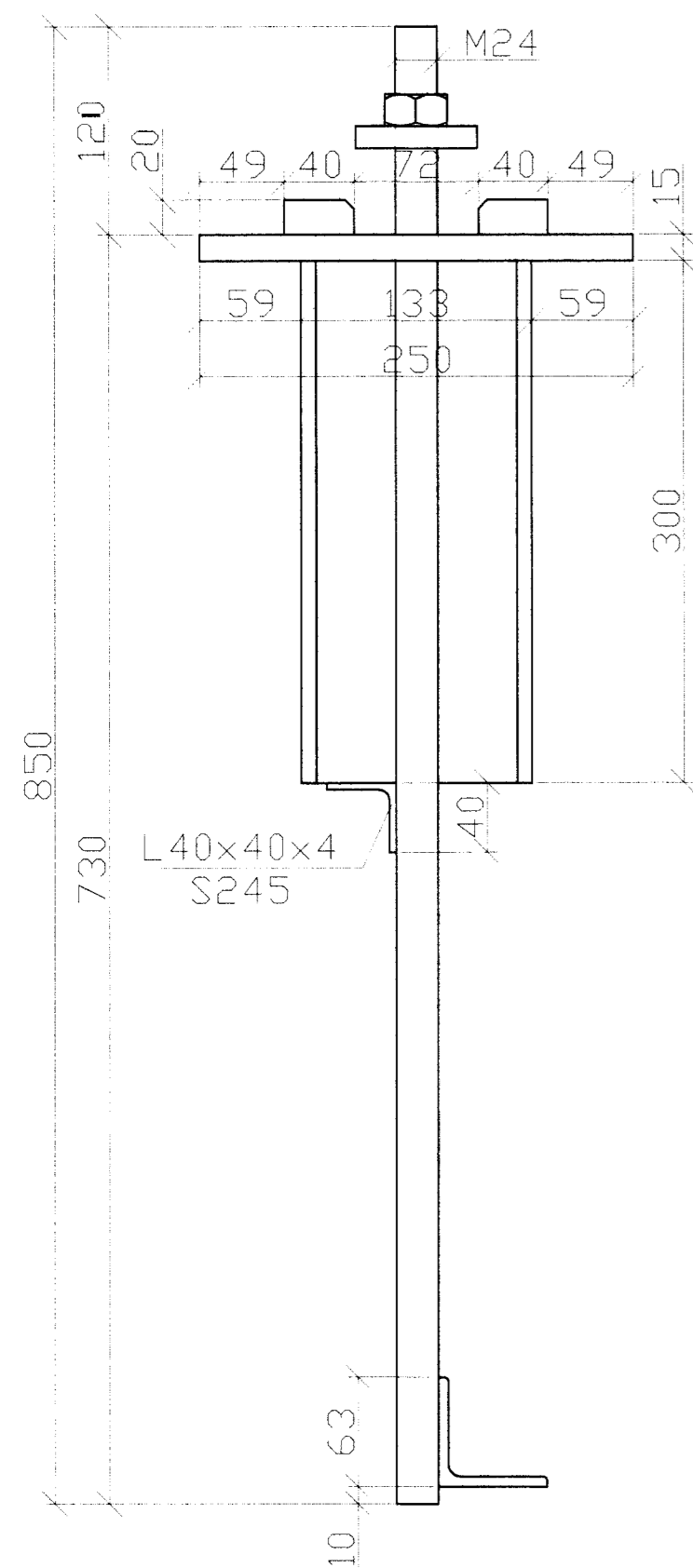
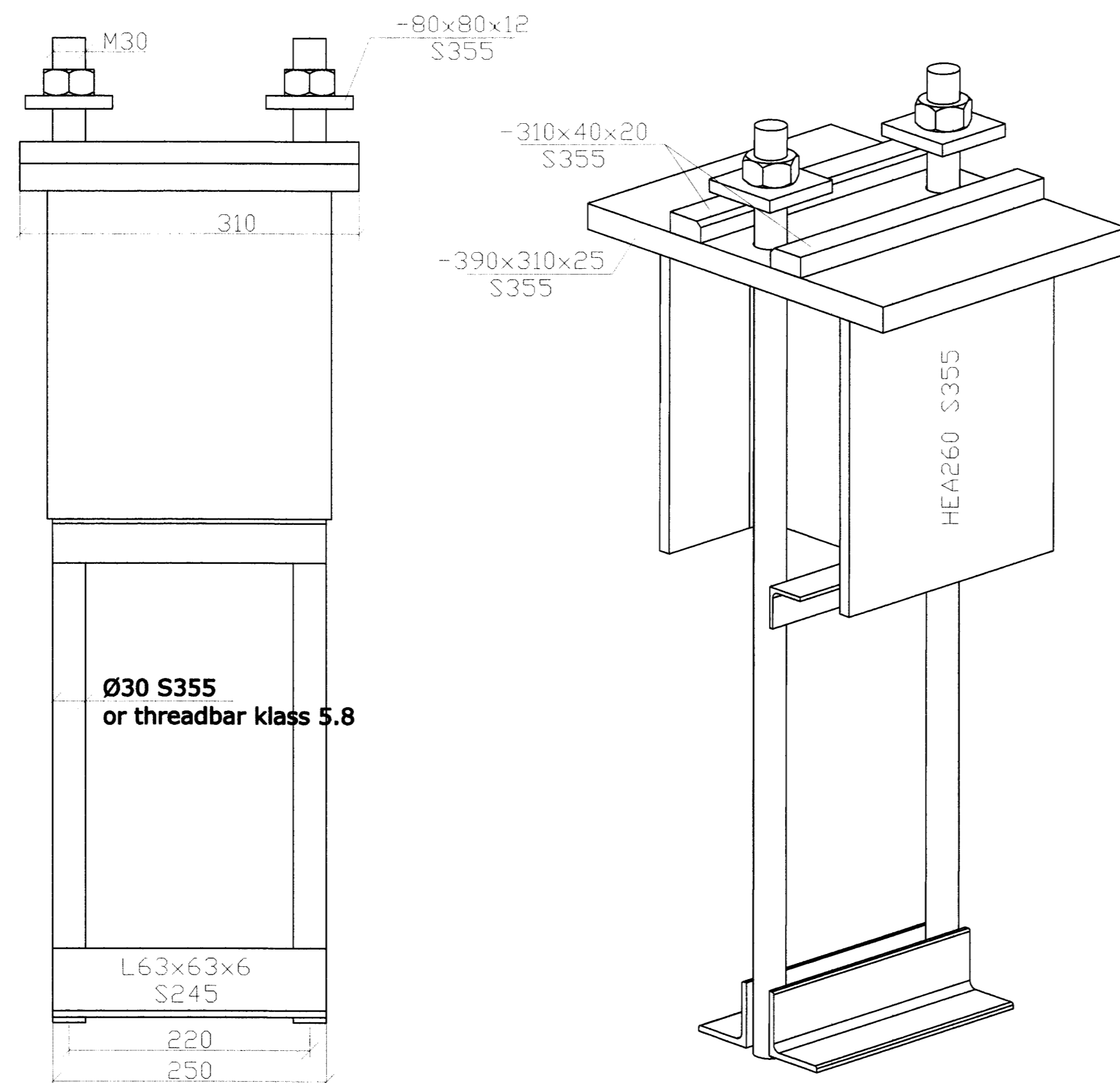
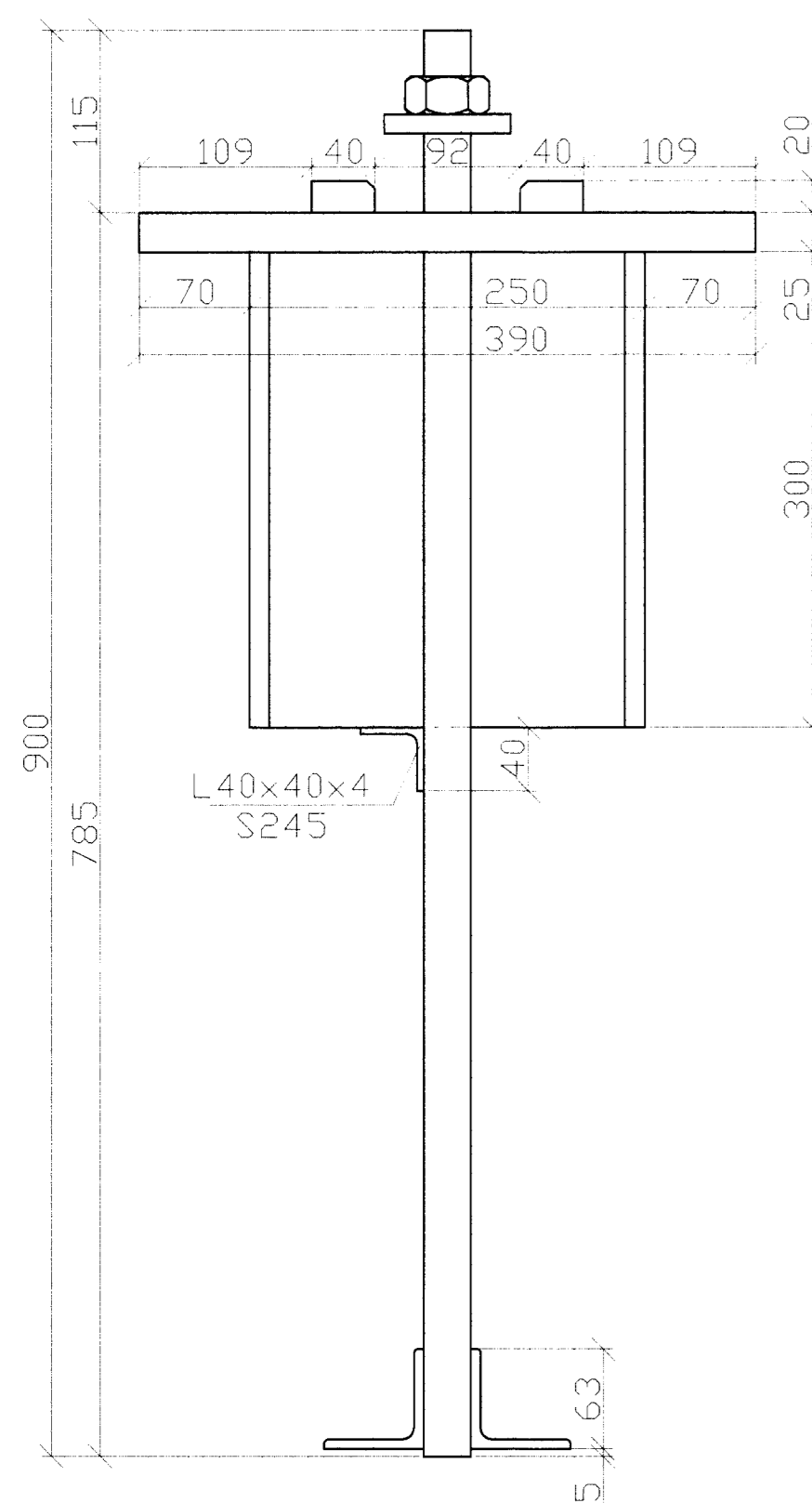


AB-1
34 pcs.



AB-2
14 pcs.



AB-3
10 pcs.

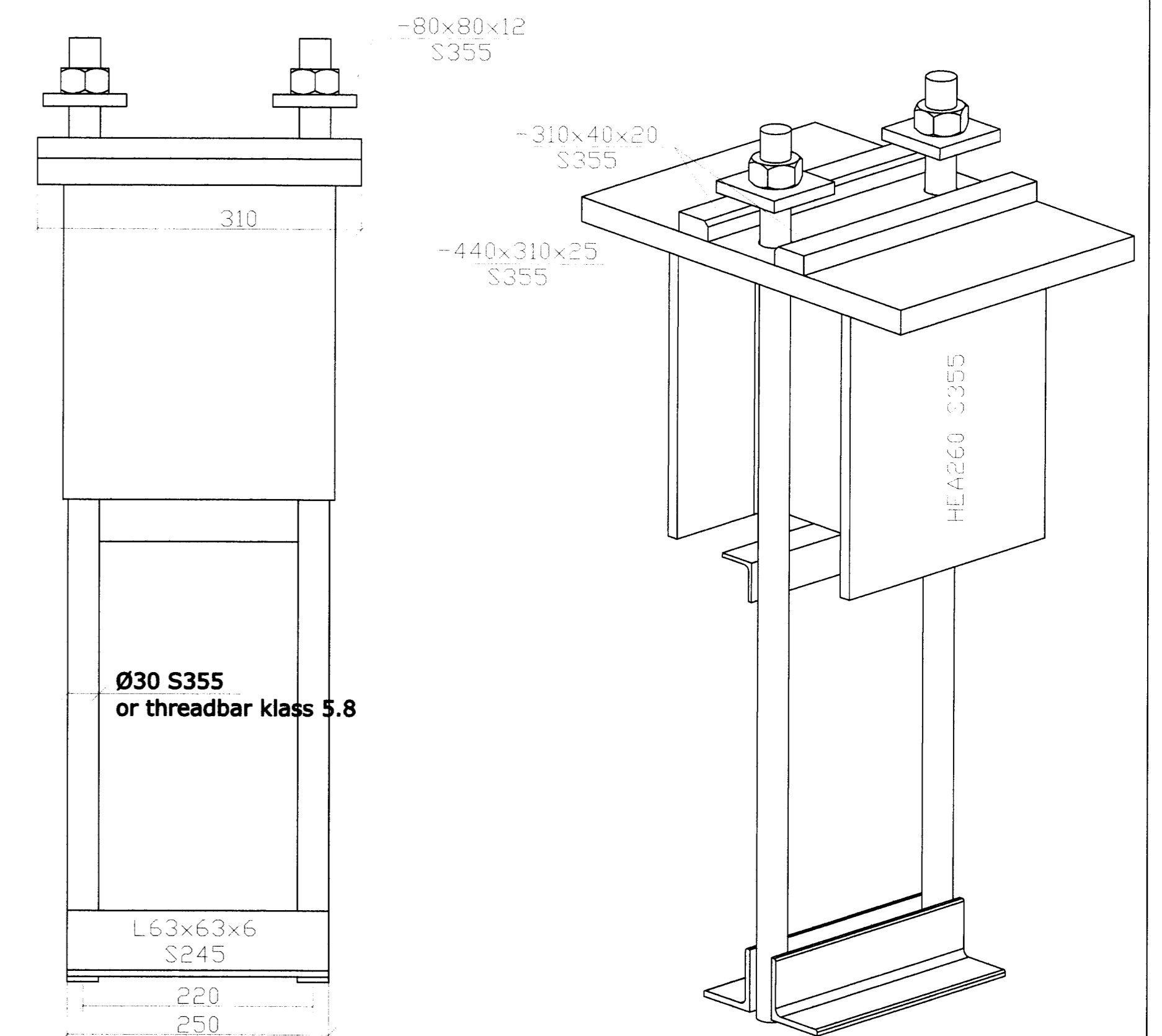
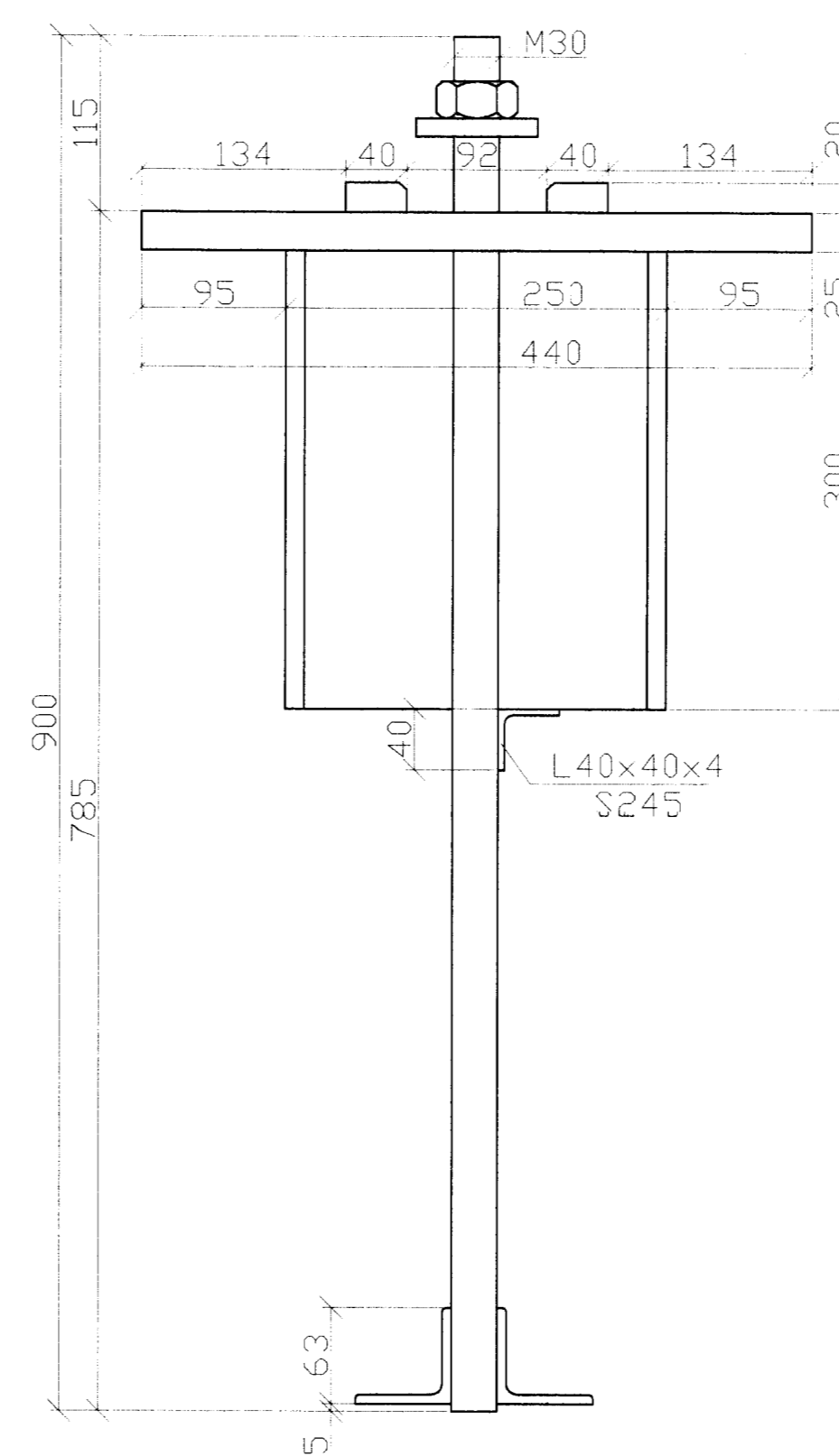


Figure 2 to B7

Metāla Būvkonstrukcijas S.B.C.			Object COLD STORE AND ADJOINING SERVICE AREA		Maker's label SBC-10.07.2007	
Drawn			Customer Steini og Olli ehf		Scale: M1:X	
Designed	07.2007	V.Brūnīšs	Anchorbolts AB-1 to AB-3		PAGE	
Checked		V.Koklis			PAGES	
Approved	<i>[Signature]</i> 24.07.2009		file: Freezer_3D.dwg		1 1	