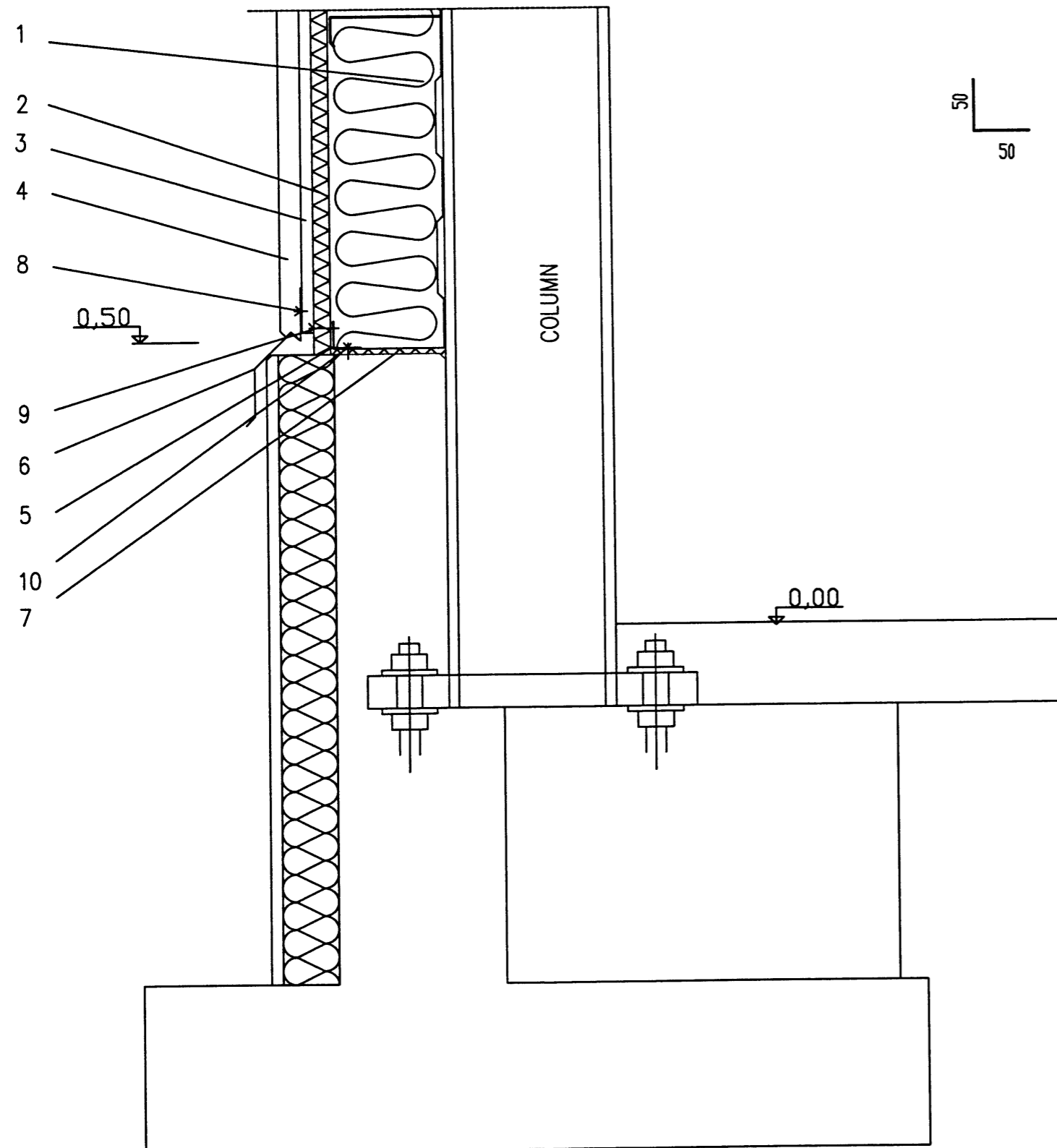



07.09.2001
 [Signature]
 BYGGINGARFULLTRUINN I VESTMANNAEYJUM



6 STEEL SHEET 1.2 mm, PVF2-COATED, RR20
m

5 STEEL SHEET 50*50*1.2, PE-COATED
m

- 1 RANNILA CASETTI 200/1.2 mm, PE-COATED, RR20
- 2 MINERAL WOOL, 200 mm, PURCHASE OF CLIENT
- 3 WIND BARRIER, 50 mm, PURCHASE OF CLIENT
- 4 HAT-PURLIN (SEE 36-0402-R7105_10)
- 5 RANNILA FASETTI
- 6 STEEL SHEET .50*50*1.2, PE-COATED
- 7 STEEL SHEET 1.2 mm, PVF2-COATED, RR20
- 8 COMPOSED SEALING
- 9 FASTENING SCREWS SD3-S-A14-4.8*20, 250 PCS
- 10 FASTENING SCREWS SX3/20-34-5.5*52
- 10. FASTENING SCREWS SD3-S-A14-4.8*25 cc 500 mm

REV No	REV INNK	REVISION DESCRIPTION	REVISION DATE
			
DRAWING TITLE		HORIZONTAL SECTION (EDGE WALL/SIDE WALL)	
CONTRACT		Rannila Steel Oy	
MODELLED BY		ISSUE DATE	26.09.2000
CONTRACT NO		SCALE	1/20