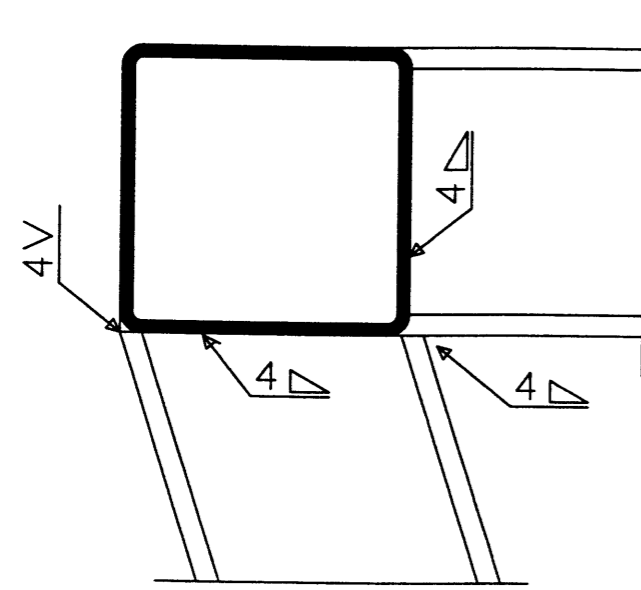


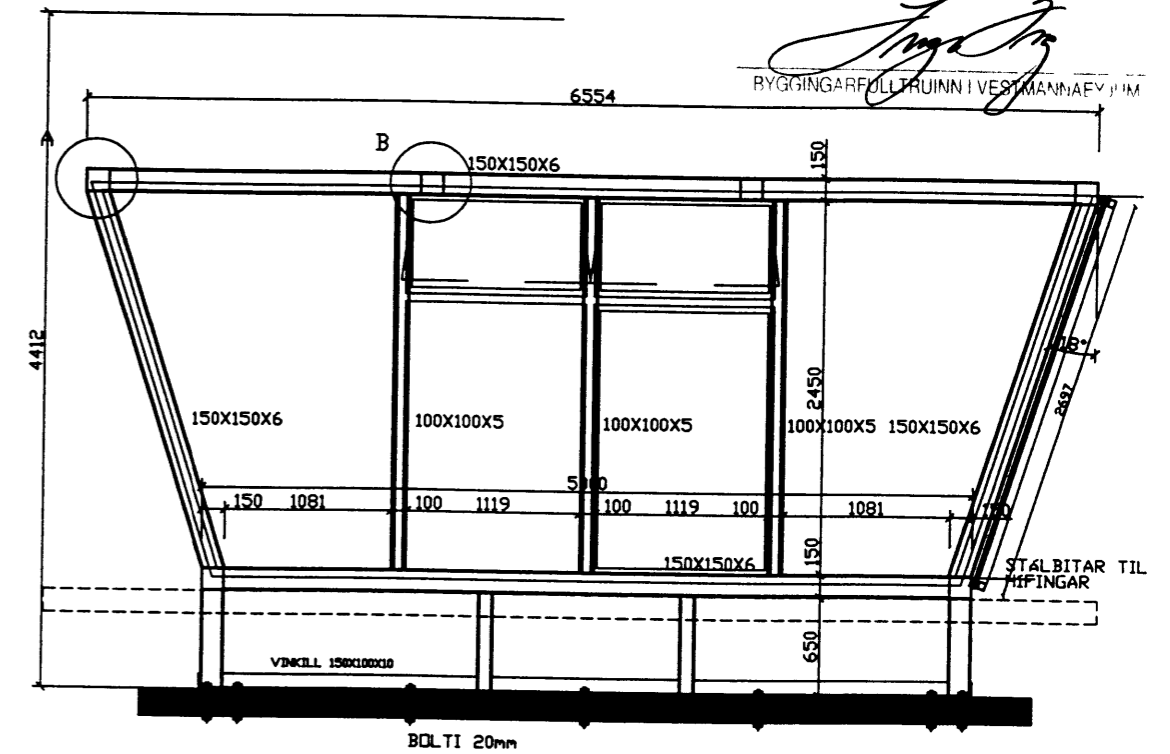
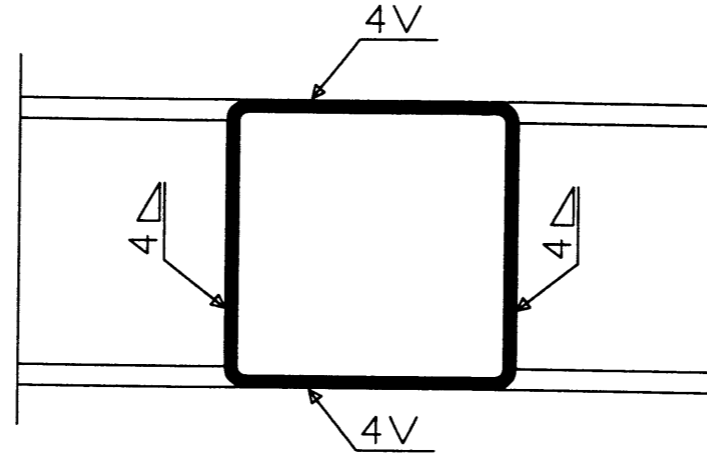
09.06.1999

BYGGINGARFOLTRUINN I VESTMANNAEYJUM

DEILI A M=1:2



DEILI B M=1:2



SNID A-A

SKÝRINGAR TÁKNA:

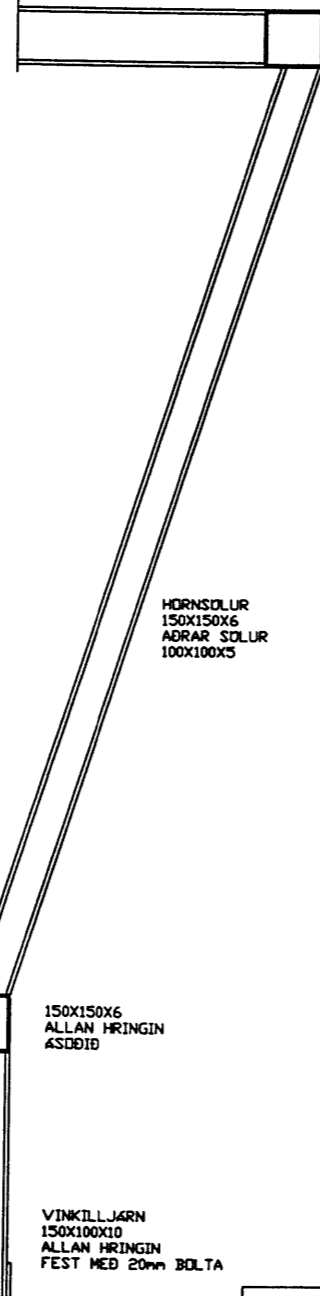
4Δ :KVERKSUÐA

4V :V-SUÐA, 4mm

α=4mm

SV3
201/203

150X150X6
ALLAN HRINGIN
4SDDID



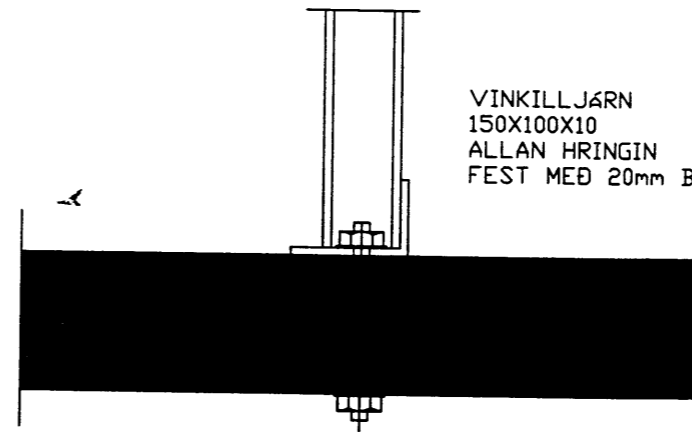
HORNSDUR
150X150X6
ADRAR SDLUR
100X100X5

150X150X6
ALLAN HRINGIN
4SDDID

VINKILLJARN
150X100X10
ALLAN HRINGIN
FEST MED 20mm BOLTA

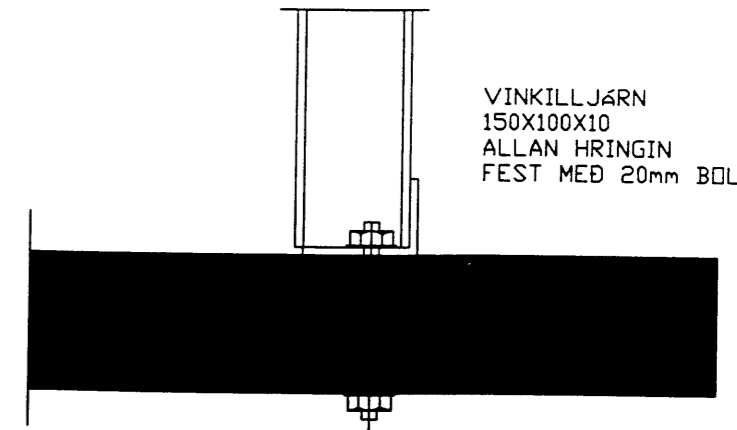
SV1
201/203

VINKILLJARN
150X100X10
ALLAN HRINGIN
FEST MED 20mm BOLTUM



SV2
201/203

VINKILLJARN
150X100X10
ALLAN HRINGIN
FEST MED 20mm BOLTUM



breyting					
breyting A	breyting C	verkefni FLUGTURN VESTMANNAEYJAFLOGVELLI	TEIKNISTOFA PZ EHF	verk nr 9907	dagur 06.99
breyting B	breyting D				