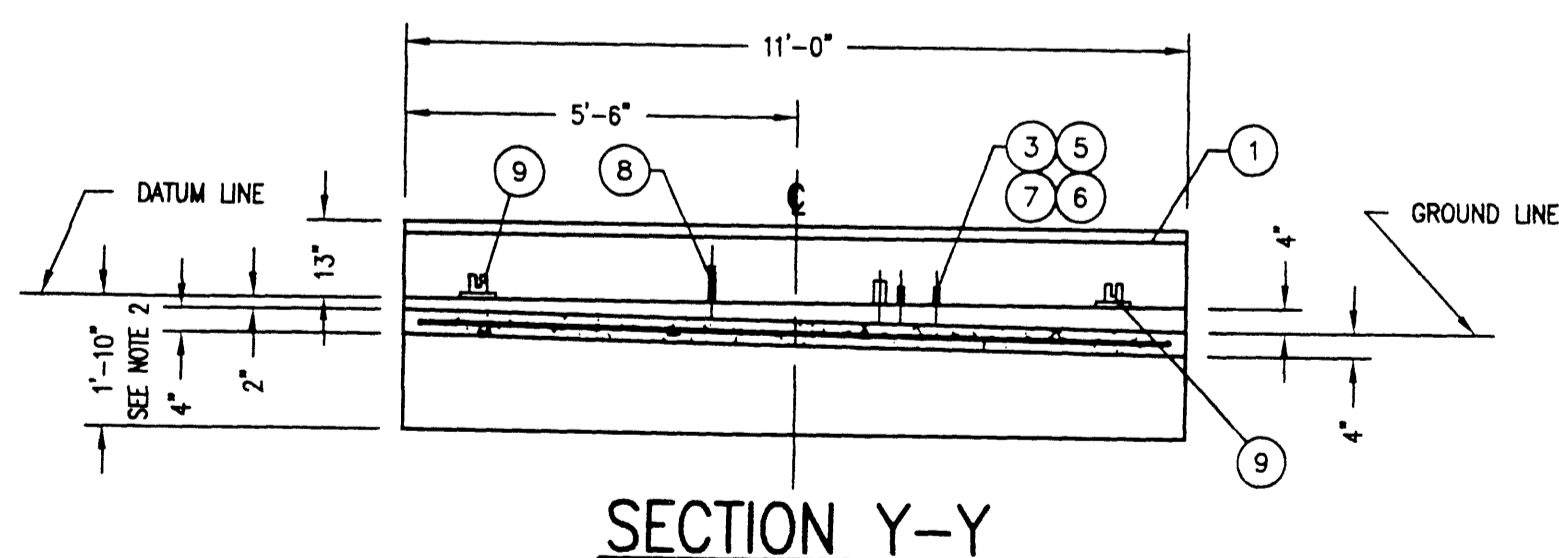
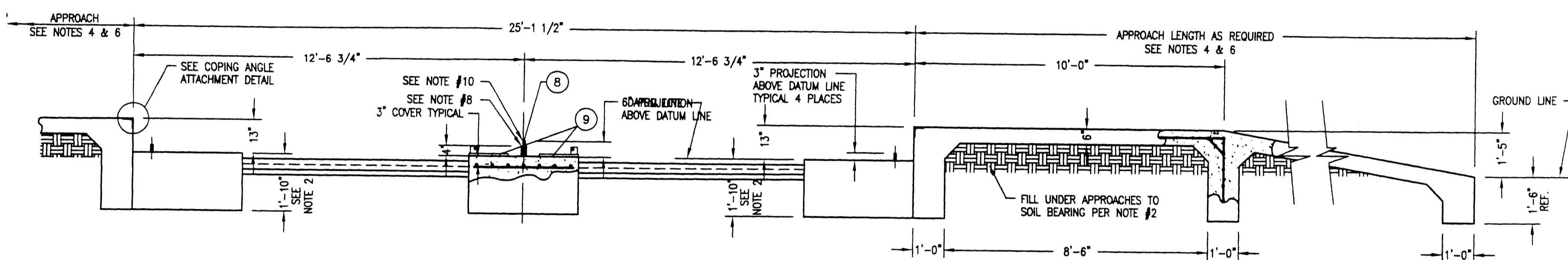
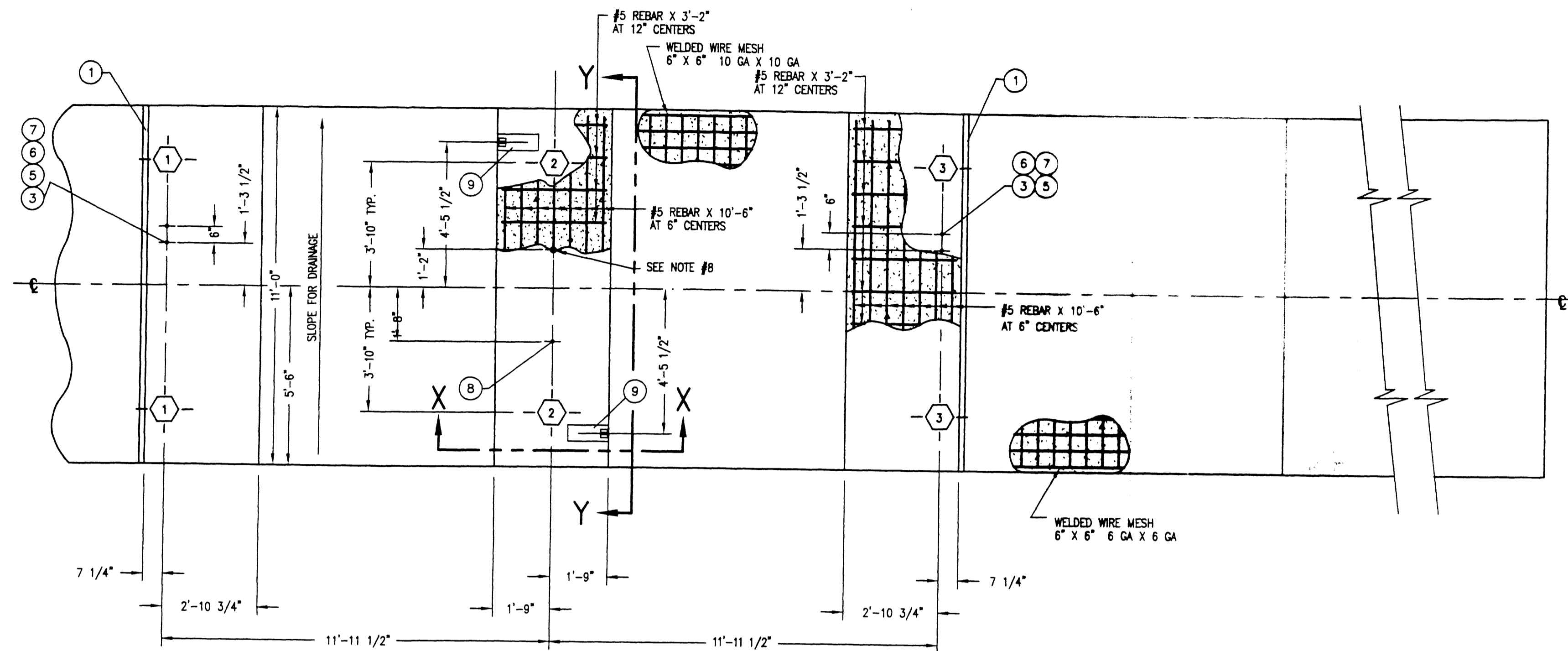
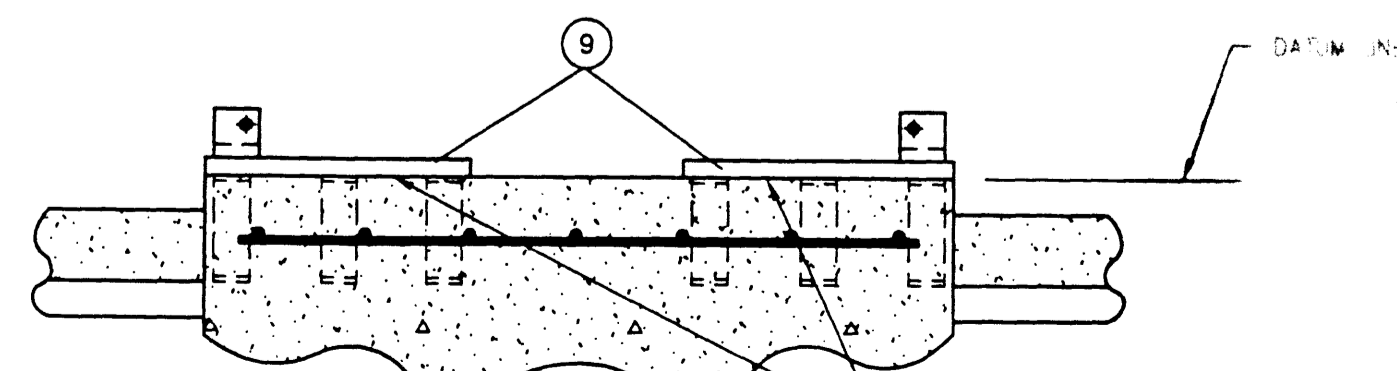


PIER LOADINGS AT 35 TON CLC	
PIER	LOADING
1	35.2 KIPS
2	40.4 KIPS
3	35.2 KIPS

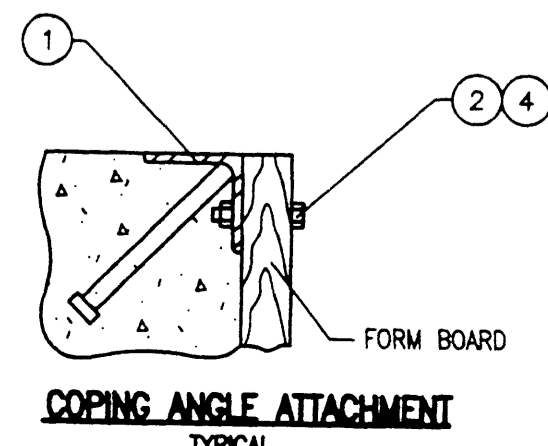
REVISION RECORD		
LTR	DESCRIPTION	DATE
A	RELEASED	11/29/01



SECTION Y-Y



SECTION X-X



COPING ANGLE ATTACHMENT

NOTES:

- ITEMS 1 THRU 9 ARE FURNISHED BY CARDINAL SCALE MFG. CO.
- THE SCALE FOUNDATION AS SHOWN IS SUFFICIENT FOR FIRM SOIL AND GOOD CONCRETE. THE MINIMUM SOIL BEARING SHALL BE 3,000 POUNDS PER SQUARE FOOT AND THE MINIMUM CONCRETE STRENGTH SHALL BE 3,000 POUNDS PER SQUARE INCH, 28 DAY. FOR UNUSUAL SOIL CONDITIONS OR DEEP FROST PENETRATION, ALTER THE FOUNDATION AS REQUIRED. THE FOOTING SHALL BE BELOW THE FROST LINE.
- CARDINAL SCALE MFG. CO. SHALL NOT BE RESPONSIBLE FOR THE STABILITY OF THE FOUNDATION.
- THE FOUNDATION CONTRACTOR SHALL CONTACT THE STATE WEIGHT AND MEASURES DIVISION FOR STATE FOUNDATION REQUIREMENTS.
- WORK FROM THE CENTERLINES WHEN ERECTING FORMS AND SETTING BOLTS.
- ON THE APPROACH END OR ENDS OF A VEHICLE SCALE INSTALLED IN ANY ONE LOCATION FOR A PERIOD OF SIX MONTHS OR MORE, THERE SHALL BE A STRAIGHT APPROACH AS FOLLOWS:
 - AT LEAST THE WIDTH OF THE PLATFORM AND
 - AT LEAST ONE-HALF THE LENGTH OF THE PLATFORM BUT NOT REQUIRED TO BE MORE THAN 40 FEET, AND
 - NOT LESS THAN 10 FEET OF ANY APPROACH ADJACENT TO THE PLATFORM SHALL BE CONSTRUCTED OF CONCRETE OR SIMILAR DURABLE MATERIAL TO INSURE THAT THIS PORTION REMAINS SMOOTH AND LEVEL AND IN THE SAME PLANE AS THE PLATFORM. HOWEVER, GRATING OF SUFFICIENT STRENGTH TO WITHSTAND ALL LOADS MAY BE INSTALLED IN THIS PORTION; AND FURTHER WHERE DEEMED NECESSARY FOR DRAINAGE PURPOSES, THE REMAINING PORTION OF THE APPROACH MAY SLOPE SLIGHTLY.
- EXCAVATION AND CONCRETE REQUIRED FOR SCALE FOUNDATION AS SHOWN:
 - MAIN PIERS: 6.4 CU. YDS. EXCAVATION; 7.8 CU. YDS. CONCRETE
 - SLAB FLOOR: 1.5 CU. YDS. EXCAVATION; 2.0 CU. YDS. CONCRETE
 - APPROACHES (10'-0" EACH END): 2.4 CU. YDS. EXCAVATION; 8.4 CU. YDS. CONCRETE
- TRANSMISSION CABLE FROM LOAD CELL TO INDICATOR SHALL BE IN 1" MINIMUM SIZE CONDUIT AT LEAST 24" FROM THE CLOSEST ELECTRICAL LINE. THEY MAY CROSS AT 90° ONLY.
- CAUTION: DO NOT WELD ON STRUCTURE WHILE ELECTRONIC LOAD CELLS ARE IN THE SYSTEM.
- REFER TO INSTALLATION MANUAL FOR PROPER ELECTRICAL GROUNDING SPECIFICATIONS.
- REINFORCING ROD AND WELDED WIRE MESH ARE NOT FURNISHED BY CARDINAL SCALE MFG. CO. THE REBAR SHALL CONFORM TO ASTM A615, GRADE 60. THE WELDED WIRE MESH SHALL CONFORM TO ASTM A-185.
- ITEM 9 SHALL BE LEVEL IN ALL DIRECTIONS AFTER THE FOUNDATION HAS BEEN COMPLETED.

QTY.	QTY.	QTY.	ITEM	PART/DWG. NUMBER	DESCRIPTION	MATERIAL OR SOURCE	WT.
		2	9	0147-C420-0A	STABILIZER PLATE		42.3
		1	8	3502-B006-54	GROUNDING KIT		20.7
		4	7	6024-0060	LOCK WASHER 1"		0.08
		4	6	6024-0027	FLAT WASHER 1"		0.19
		4	5	6013-0165	HEX NUT 1"-8 UNC-2B		0.29
		6	4	6013-0065	HEX NUT 3/8"-16 UNC-2B		0.01
		4	3	6007-0350	HEX HEAD BOLT 1"-8 UNC-2A X 14"		3.46
		6	2	6007-0050	HEX HEAD BOLT 3/8"-16 UNC-2A X 1 1/2"		0.06
		2	1	0145-B412-0A	COPING ANGLE 11'-0" REF.		25.1
176.2							

UNLESS OTHERWISE SPECIFIED TOLERANCE ON DIMENSIONS ARE:
 ANGLES ± 1/2"
 INTEGERS/FRACTIONS ± 1/16 IN.
 DECIMALS (.X) ± .03 IN.
 DECIMALS (.XX) ± .01 IN.
 DECIMALS (.XXX) ± .005 IN.
 NOTE: WHOLE NUMBERS MUST BE WRITTEN XX.000 TO INVOKE DECIMAL TOLERANCES.

THIS DRAWING IS THE PROPERTY OF THE CARDINAL SCALE MFG. CO.

Cardinal
 Cardinal Scale Manufacturing Co.
 WEBB CITY, MISSOURI, U.S.A. 64870

CARDINAL DETECTO FULLER WEIGHING SYSTEMS

TITLE: FOUNDATION PLAN
 25'-1 1/2" X 11'-0"

SCALE: 3/8" = 12" DO NOT SCALE DRAWING
 NEXT ASSEMBLY DATE: 11/28/01
 DR. TARNOMECKY11